



SBT2000S Series

SBT2000S Single Lane Swing Barrier Turnstile

SBT2011S Single Lane Swing Barrier Turnstile
(w/ controller and RFID reader)

SBT2022S Single Lane Swing Barrier Turnstile
(w/ controller and fingerprint & RFID reader)

The ZKTeco SBT2000S single lane swing barrier turnstile is an elegant cost-effective entrance control system designed for high-traffic volume.

The SBT2000S is a single lane swing barrier turnstile series designed for smooth and silent operation and draws very little power. It's made of cold rolled sheet with powder spraying technology, which makes SBT2000S supports multiple color customization. In addition, SUS304 cabinet is optional.

SBT2000S barrier is normally held in a locked position, thus denying access to the secured side. Upon SBT2000S's reader (RFID and/or fingerprint) positively recognizing a user's valid access card or fingerprint, its barriers swing automatically, thus allowing users passage to the secured side.

During emergencies the barriers automatically swing, thereby ensuring users fast unencumbered exit to safety. SBT2000S provides both security and convenient space, all in a very durable and elegant compact design.

Features

Safety

- Barriers swing automatically during emergencies.
- Ergonomic design makes card and fingerprint authentication fast & simple for users.

Simplification

- Simplify structure and connection, easy to maintain.

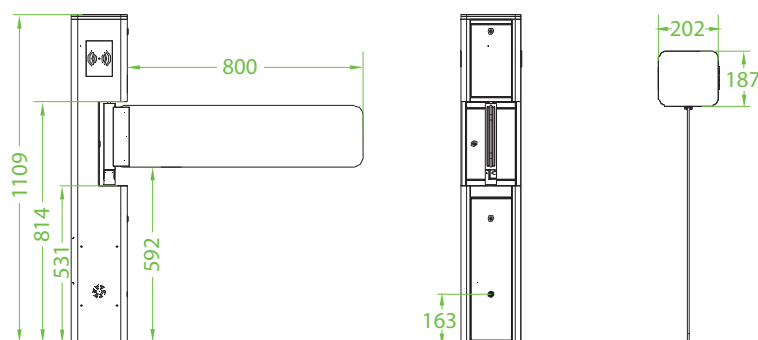
Built-in Reader Integration

- SBT2000S series ships already integrated with our customers' preference for either card or fingerprint access control reader. This greatly reduces installation time & expense.
- SBT2000S series and associated access control readers are all factory-tested prior to shipping.
- ZKTeco provides true plug & play turnstiles with the lowest possible total cost of ownership in the industry.

Specifications

Power Requirements	AC 100 ~ 120V / 200 ~ 240V, 50 / 60Hz
Working Temperature	-15°C ~ 60°C
Working Humidity	20% ~ 93% (non-condensing)
Working Environment	Indoor / Outdoor (if sheltered)
Lane Width (mm)	800
Infrared Sensor	A sensor
Dimension (L * W * H)	202 * 187 * 1109 (mm)
Dimension with Packing (L * W * H)	280 * 280 * 1160 (mm)
Weight with Packing (kg)	50
LED Indicator	Support
Cabinet Material	Cold rolled sheet (optional: SUS304 stainless steel)
Lid Material	Acrylic
Barrier Material	Tempered glass (optional: stainless steel or acrylic)
Barrier Movement	Swing
Emergency Mode	Support

Dimensions (mm)



Option

